

TECHNICAL TAILS:

- 1) ALL DIMENSIONS ARE IN mm.
- 2) GENERAL TOLERANCES : ±3%.
- 3) ALL FERROUS PARTS HOT DIP GALVANISED & SPRING WASHER ELECTRO GALVANISED AS PER POWERGRID SPECIFICATION.
- 4) ALL DIMENSIONS ARE AFTER GALVANISATION EXCEPT DRILLED HOLES.
- 5) HARDWARE TOLERANCES ON LENGTH ±2%.

**POWER GRID CORPORATION
OF INDIA LIMITED**
(A GOVERNMENT OF INDIA ENTERPRISE)



**TITLE:- 765 KV SINGLE "I" SUSPENSION PILOT STRING
FOR SIX BUNDLE "ZEBRA" ACSR CONDUCTOR WITH COUNTER WEIGHT.**
UTS-160 KN

CLEARED BY

SR-GM
(ENGG-TL)

CGM
(ENGG-TL)

MGR
(ENGG-TL)

CHMGR
(ENGG-TL)

ED
(ENGG)

GM
(ENGG-TL)

DATE
14-11-19

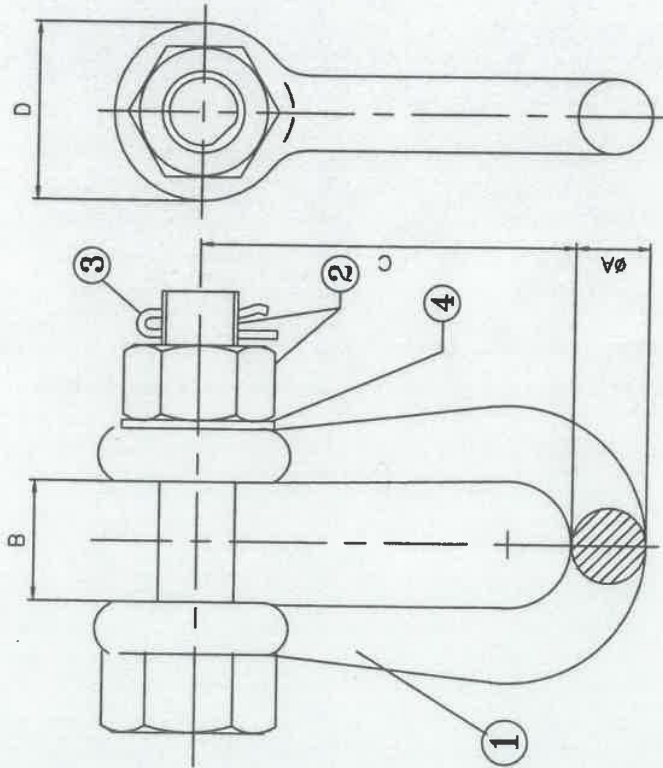
DRG. NO. :- CC:ENGG:TL/HW/765 KV/HEXA/SISP

Sr. No.	DESCRIPTION	PART NO.	UTS	QTY.	REF
10	CORONA RING	CR-765-01	----	1	CR-001
9	COUNTER WEIGHT ASSEMBLY	CW-01	----	1	CW-001
8	SUSPENSION CLAMP(ENV.)	ENV-ZEBRA	70 KN	6	ENV-001
7	CORONA RING	CR-765-03A	----	2	CR-002
6	CLEVIS EYE	CE-90-01 / CE-70-01	90/70 KN	6	CE-001
5	YUKE PLATE	YP-C-H-160-02	160 KN	1	YP-C-H-001
4	SOCKET CLEVIS	SC-175-01	175 KN	1	SC-001
3	ARCING HORN (BALL)	AH-BL-01B	----	1	AHB-001
2	BALL EYE (HORN HOLDER)	BE-160-01	160 KN	1	BE-001
1	ANCHOR SHACKLE	AS-180-01	180 KN	2	AS-001
			UTS	QTY.	REF

DRG:CC:ENGG:TL/HV

TECHNICAL DETAILS:-

- 1) ALL DIMENSIONS ARE IN mm.
- 2) GENERAL TOLERANCE ±3%
- 3) ALL FERROUS PARTS ARE HOT DIP GALVANISED AS PER POWERGRID SPECIFICATION.
- 4) ALL DIMENSIONS ARE AFTER GALVANISATION EXCEPT DRILLED HOLES.



PART No.	UTS(KN)	A	B	C	D	BOLT SIZE & GRADE
AS-920-01A	920	40-45	47-50	150	90-92	39 (8.8)
AS-920-01B	920	47	47-50	150	85-92	39 (8.8)
AS-640-01	640	38-40	42-45	130-155	74-90	36 (8.8)
AS-470-01	470	32	35	120	70-72	30 (8.8)
AS-350-01	350	25-28	36-40	110-120	58-62	27 (8.8)
AS-350-02	350	25-27	30	102	58-60	27 (8.8)
AS-240-01	240	22-24	26-28	90	50-60	22 (8.8)
AS-180-01	180	20-22	24-28	90	50-52	22 (5.6)
AS-120-01	120	20-22	24-28	90	48-52	20 (5.6)
AS-90-01	90	16-20	22-24	76	40-45	16 (5.6)

**POWER GRID CORPORATION
OF INDIA LIMITED**
(A GOVERNMENT OF INDIA ENTERPRISE)



CLEARED BY

<i>[Signature]</i> SP-CH (ENGG-TL)	<i>[Signature]</i> CCM (ENGG-TL)	<i>[Signature]</i> ED (ENGG)
14-11-19	<i>[Signature]</i> CH. MGR. (ENGG-TL)	<i>[Signature]</i> GM (ENGG-TL)
DATE	MGR. (ENGG-TL)	

TITLE:- ANCHOR SHACKLE

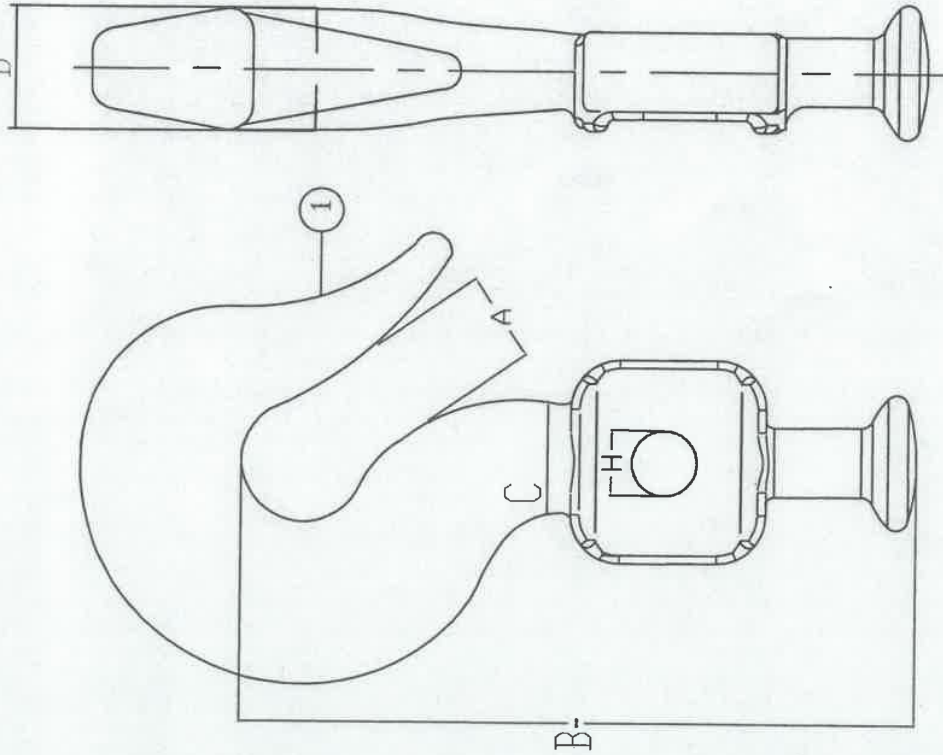
No.	DESCRIPTION	MATERIAL	QTY.
4	PLAIN WASHER	MILD STEEL Fe-410,IS:2062	1
3	SPLIT PIN	STAINLESS STEEL, AISI-304	1
2	NUT & BOLT	MILD STEEL IS:6062, IS:6063 PART-III & IS:6064	1.1
1	ANCHOR SHACKLE	FORGED STEEL CL-IV,IS:2004	1

DRG. NO. :- CC:ENGG:TL/HW:AS-001

TECHNICAL DETAILS:-

- 1) ALL DIMENSIONS ARE IN mm.
- 2) GENERAL TOLERANCE $\pm 3\%$
- 3) ALL FERROUS PARTS ARE HOT DIP GALVANISED AS PER POWER GRID SPECIFICATION
- 4) ALL DIMENSIONS ARE AFTER GALVANISATION EXCEPT DRILLED HOLES.
- 5) BALL DESIGNATION 16 mm AS PER IS:2486 (PART-II)

PART No.	UTS(KN)	A	B	C	D	H
BH-70-01	70	22	135-165	17-20	20-22	NA
BH-70-02	70	22	135-165	17-20	20-22	14



**POWER GRID CORPORATION
OF INDIA LIMITED**
(A GOVERNMENT OF INDIA ENTERPRISE)



CLEARED BY

SR. GM (ENGG-TL)	CGM (ENGG-TL)	ED (ENGG)
14.11.19	21/11	
DATE	MOR. (ENGG-TL)	GM (ENGG-TL)
	CH. MOR. (ENGG-TL)	

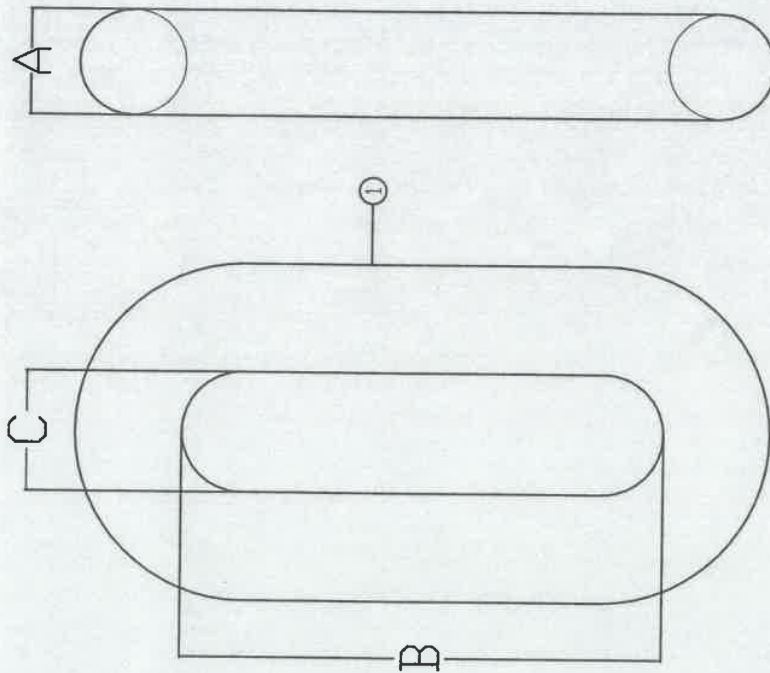
TITLE:- BALL HOOK

DRG .NO. :- CC:ENGG:TL/HW:BH-001

No.	DESCRIPTION	MATERIAL	QTY.
1	BALL HOOK	FORGED STEEL, CI-IV, IS:2004	1

TECHNICAL DETAILS:-

- 1) ALL DIMENSIONS ARE IN mm.
- 2) GENERAL TOLERANCE $\pm 3\%$
- 3) ALL FERROUS PARTS ARE HOT DIP GALVANISED AS PER POWER GRID SPECIFICATION
- 4) ALL DIMENSIONS ARE AFTER GALVANISATION EXCEPT DRILLED HOLES.



PART No.	UTS(KN)	THICKNESS	B	C
CL-920-01	920	40-45	150	50-55
CL-320-01	320	25-27	90-100	29-35
CL-240-01	240	20-22	90-100	25-32

**POWER GRID CORPORATION
OF INDIA LIMITED**
(A GOVERNMENT OF INDIA ENTERPRISE)



CLEARED BY

SR. CH. (ENGG-TL)	CCM (ENGG-TL)	ED (ENGG)
14.11.17		
DATE	MGR. (ENGG-TL)	CH. MGR. (ENGG-TL)
		GM (ENGG-TL)

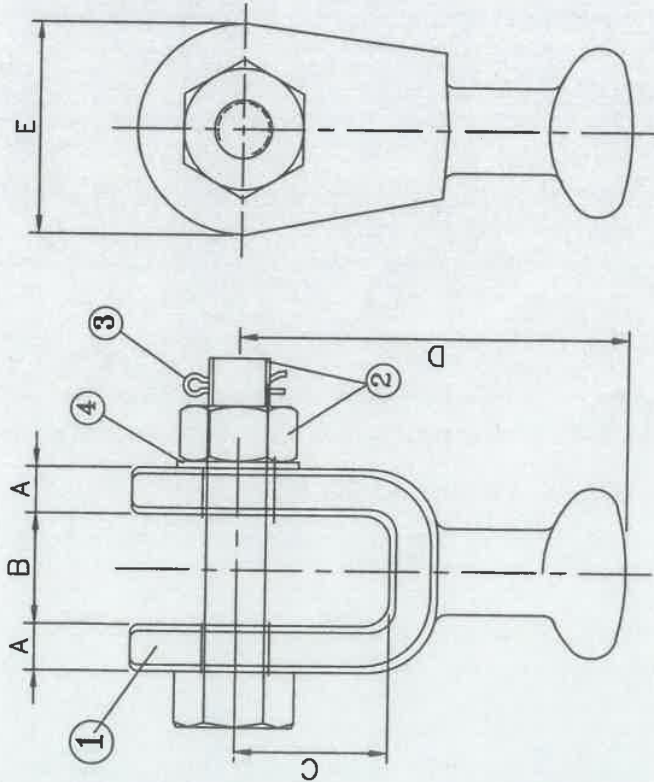
TITLE:- CHAIN LINK

DRG. NO. :- CC:ENGG:TL/HW:CL-001


No.	CHAIN LINK DESCRIPTION	FORGED STEEL CL-IY IS:2004 MATERIAL	1	QTY.

TECHNICAL DETAILS:-

- 1) ALL DIMENSIONS ARE IN mm.
- 2) GENERAL TOLERANCE $\pm 3\%$
- 3) ALL FERROUS PARTS ARE HOT DIP GALVANISED AS PER POWER GRID SPECIFICATION
- 4) ALL DIMENSIONS ARE AFTER GALVANISATION EXCEPT DRILLED HOLES.



PART No.	UTS(KN)	A	B	C	D	E	DESIGNATION	BOLT SIZE & GRADE
BC-235-01A	235	14-15	28-29	42-50	110	56-60	24MM	22 (5.6)
BC-235-01B	235	14	29	50	115	60	24MM	22 (5.6)
BC-175-01A	175	12-14	22-25	38-45	100	50-52	20MM	22 (5.6)
BC-175-01B	175	13	22-25	42	100	45	20MM	22 (5.6)
BC-120-01	120	12-14	22-24	38-45	100	45-52	20MM	20 (5.6)
BC-90-01	90	10-13	22-25	35-40	76	38-45	16MM	16 (5.6)

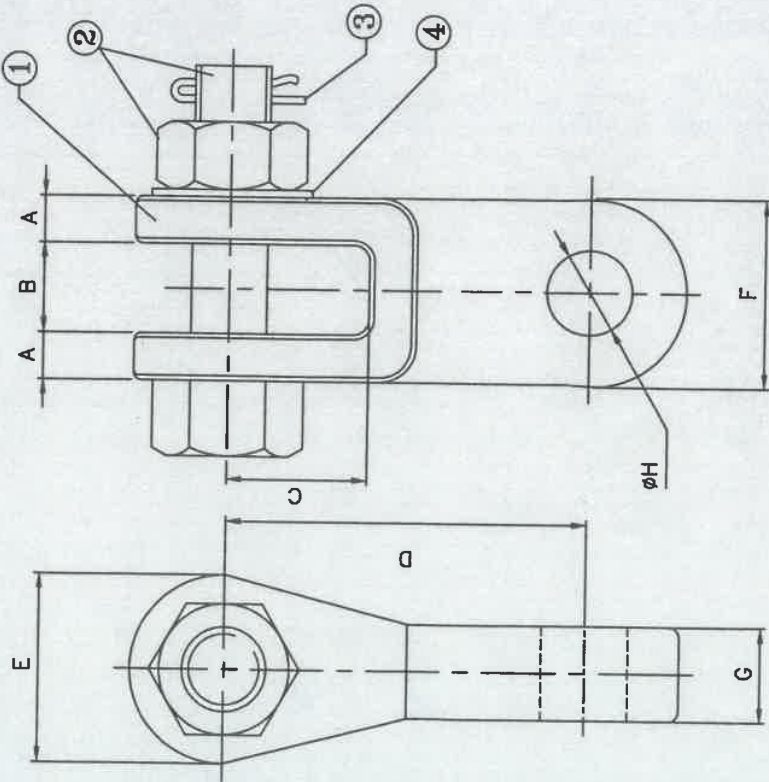

**POWER GRID CORPORATION
OF INDIA LIMITED**
 (A GOVERNMENT OF INDIA ENTERPRISE)

Cleared by		TITLE:- BALL CLEVIS	
SR. GM (ENGG-TL)	CGM (ENGG-TL)	ED (ENGG)	
14.11.19	21/2/21		
DATE	MGR. (ENGG-TL)	CH. MGR. (ENGG-TL)	GM (ENGG-TL)
			DRG .NO. :- CC:ENGG:TL/HW:BC-001

No.	DESCRIPTION	MATERIAL	QTY.
4	PLAIN WASHER	MILD STEEL Fe-410, IS:2062	1
3	SPLIT PIN	STAINLESS STEEL, AISI-304	1
2	NUT & BOLT	MILD STEEL IS:2062, IS:2062 PART-III & IS:2062 PART-III *	1,1
1	BALL CLEVIS	FORGED STEEL, CI-IV, IS:2004	1

TECHNICAL DETAILS:-

- 1) ALL DIMENSIONS ARE IN mm.
- 2) GENERAL TOLERANCE $\pm 3\%$
- 3) ALL FERROUS PARTS ARE HOT DIP GALVANISED AS PER POWER GRID SPECIFICATION
- 4) ALL DIMENSIONS ARE AFTER GALVANISATION EXCEPT DRILLED HOLES.



PART No.	UTS(KN)	A	B	C	D	E	F	G	H	BOLT SIZE & GRADE
CE-160-01	160	12-14	23-24	40-50	80-110	50-54	50-54	20	24	22 (5.6)
CE-90-01	90	10-12	22-24	32-41	76	38-50	38-50	20	18	16 (5.6)
CE-70-02	70	10	22	50	100	40	40	30	18	16 (5.6)

**POWER GRID CORPORATION
OF INDIA LIMITED**
(A GOVERNMENT OF INDIA ENTERPRISE)

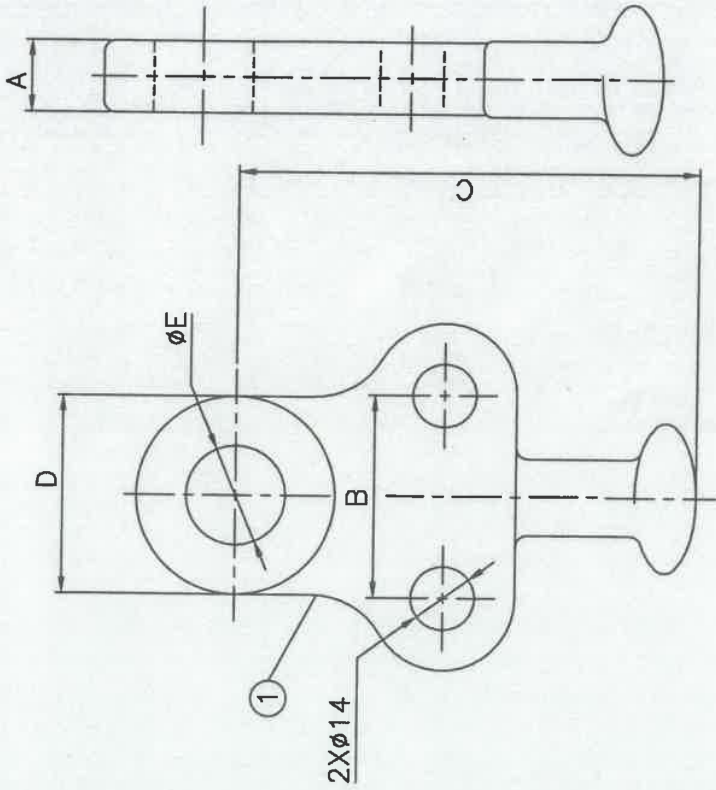


CLEARED BY		TITLE:- CLEVIS EYE	
SR. DR. (ENGG-TL)	CGM (ENGG-TL)	ED (ENGG)	
14.11.19	21.7.24		
DATE	MGR. (ENGG-TL)	MGR. (ENGG-TL)	GM (ENGG-TL)
DRG. NO. :- CC:ENGG:TL/HW:CE-001			

No.	DESCRIPTION	MATERIAL	QTY.
4	PLAIN WASHER	MILD STEEL Fe-410,IS:2062	1
3	SPLIT PIN	STAINLESS STEEL, AISI-304	1
2	NUT & BOLT	MILD STEEL, IS:2062, IS:2063 PART-III & IS:2067 PART-III	1,1
1	CLEVIS EYE	FORGED STEEL, IS:2062	1

TECHNICAL DETAILS:-

- 1) ALL DIMENSIONS ARE IN mm.
- 2) GENERAL TOLERANCE $\pm 3\%$
- 3) ALL FERROUS PARTS ARE HOT DIP GALVANISED AS PER POWERGRID SPECIFICATION.
- 4) ALL DIMENSIONS ARE AFTER GALVANISATION EXCEPT DRILLED HOLES.



PART No.	UTS(KN)	A	B	C	D	DESIGNATION	E
BE-160-01	160	20	50	100-130	44-50	20MM	24
BE-120-01	120	20	50	100-130	44-50	20MM	22

**POWER GRID CORPORATION
OF INDIA LIMITED**
 (A GOVERNMENT OF INDIA ENTERPRISE)



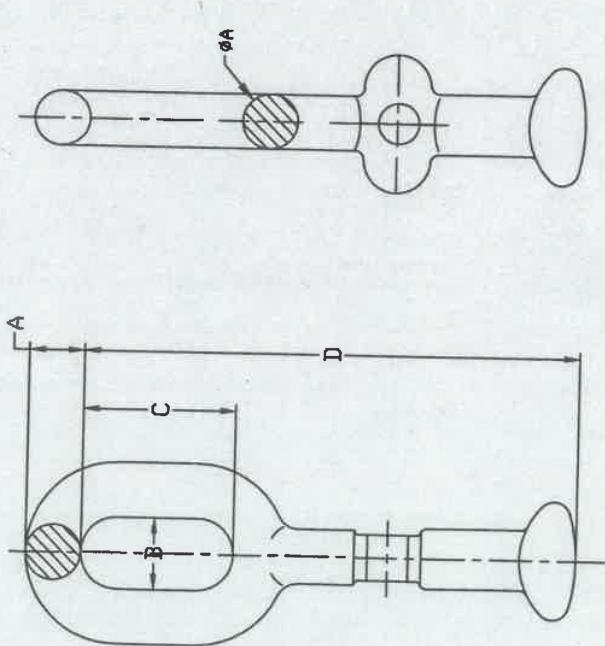
CLEARED BY

SRF CH. (ENGG-TL) 14.11.19	CCM (ENGG-TL)	ED (ENGG)	TITLE:- BALL EYE HORN HOLDER	
			CH. MGR. (ENGG-TL)	CM (ENGG-TL)
DATE	MGR. (ENGG-TL)		DRG. NO. :- CC:ENGG:TL/HW:BE-001	

1	H.H. BALL EYE	FORGED STEEL CL-IV IS:2004	1
No.	DESCRIPTION	MATERIAL	QTY.

TECHNICAL DETAILS:-

- 1) ALL DIMENSIONS ARE IN mm.
- 2) GENERAL TOLERANCE $\pm 3\%$
- 3) ALL FERROUS PARTS ARE HOT DIP GALVANISED AS PER POWERGRID SPECIFICATION.
- 4) ALL DIMENSIONS ARE AFTER GALVANISATION EXCEPT DRILLED HOLES.



PART No.	UTS(KN)	A	B	C	D	DESIGNATION	HOLE SIZE
BL-120-01	120	20	25-30	55-60	160-170	20MM	14
BL-90-01	90	16	25	50-60	100-160	16MM	NA

**POWER GRID CORPORATION
OF INDIA LIMITED**
(A GOVERNMENT OF INDIA ENTERPRISE)



CLEARED BY

SR. GM (ENGG-TL) *[Signature]*
 CGM (ENGG-TL) *[Signature]*
 ED (ENGG) *[Signature]*
 CH. MGR. (ENGG-TL) *[Signature]*
 GM (ENGG-TL) *[Signature]*

TITLE:- BALL LINK(HORN HOLDER)

14.11.19 21772

DATE MGR. (ENGG-TL)

DRG. NO. :- CC:ENGG:TL/HW:BL-001

No.	H.H. BALL LINK DESCRIPTION	FORGED STEEL CL-IV IS:2004 MATERIAL	1	QTY.